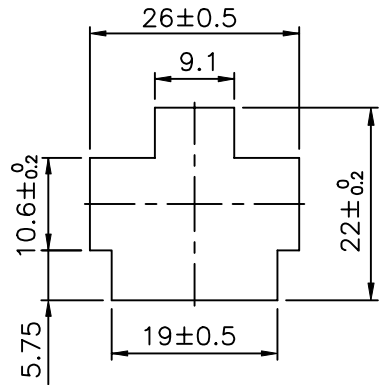
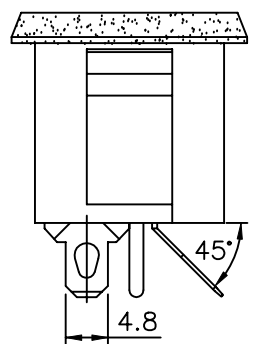
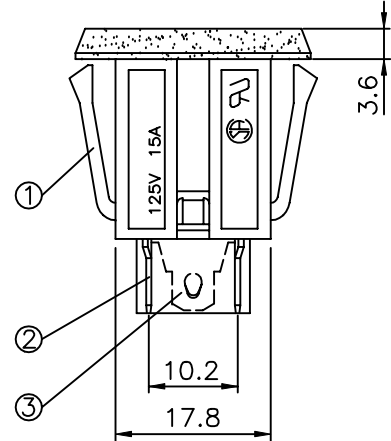
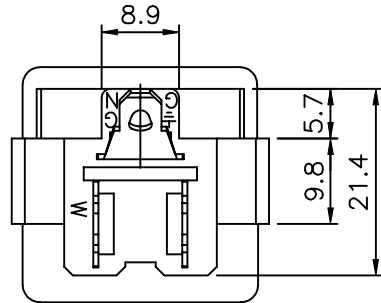
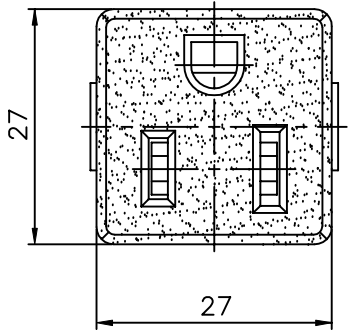


		Revision	
Rev.	Description	Date	Approved



Panel Thickness Range: 8mm~2.0mm

- 3 Soldering PIN B 0.6t Tin-Plated
- 2 Soldering PIN A 0.6t Tin-Plated
- 1 Body Insulator NYLON 21SP Black Color

15A 125V AC
MATERIAL UL94-V2
UL
CSA

Dim range (mm)	Tolerance +/- (mm)	Qualtek Electronics Corp. PPC DIVISION		
		Part Number: 738W-X2/01		
0-1	0.15	Description: NEMA 5-15 Receptacle		
1-6	0.20			
6-18	0.30			
18-50	0.50			
50-120	0.70	Drawn/Date	Checked/Date	Approved/Date
120-250	0.90	B.ZHANG	BAC/10-22-01	JJH/10-22-01
250-500	1.20	10-22-01		